

## NORFOLK GREENHOUSES LTD

# U9a JUMBO COLDFRAME

**BEFORE** construction check ALL boxes against parts list and study the instructions to make yourself conversant with them.

THIS PRODUCT IS OF A LIGHTWEIGHT DESIGN & THEREFORE IS IMPERATIVE THAT IT IS ANCHORED DOWN SUFFICIENTLY TO STOP THE WIND BLOWING IT OVER! THE PRODUCT IS DESIGNED FOLLOWING THE AIRCRAFT THEORY & WILL BE FLIMSY UNTIL PRODUCT IS COMPLETELY FINISHED. WE WISH YOU MANY HAPPY GROWING SEASONS.

### PARTS LIST

ALL LENGTHS/SIZES ARE APPROX.

P2	90 ANGLE 1500mm		5
P2A	90 ANGLE 1500mm	Cropped both ends	1
P5	90 ANGLE 568mm		2
PT	PLASTIC TRIM		2
R10	CHANNEL 559mm		1
R11	CHANNEL 353mm		1
R13	CHANNEL 1491mm		1
XL19S	90 ANGLE 794mm		2
XL29	90 ANGLE 362mm		2
XL72S	90 ANGLE 794mm		2
S22A	DOOR PANEL (2 NOTCHES)		1
S22C	DOOR PANEL (2 NOTCHES)		1
TW160	TWIN WALL 1495mm x 565mm		1
TW161	TWIN WALL 1495mm x 360mm		1
TW162	TWIN WALL SHAPE		2
TW163	TWIN WALL 1505MM x 50mm		1
Pre Pack			

Most angles are marked with part number. However, it is not possible to print ALL parts but they can easily be identified by measuring.

**IMPORTANT:** Check ALL parts against list and read assembly instructions several times to familiarise yourself with them PRIOR to assembly or employing others to erect.

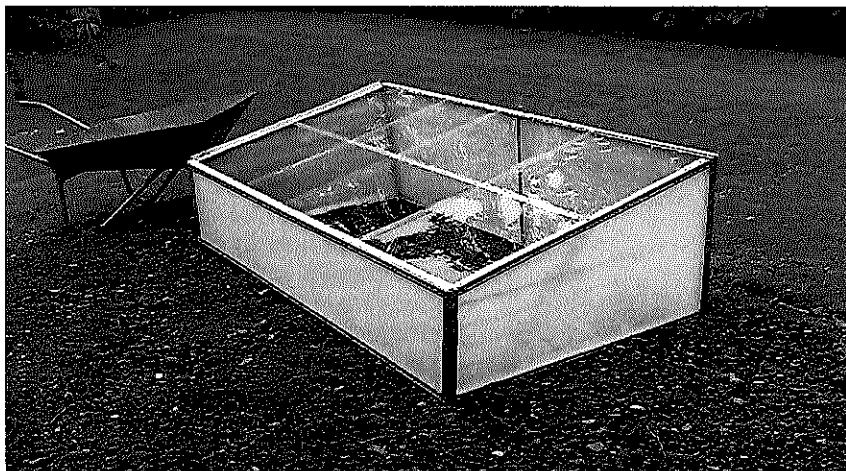
Caution: Some parts may have sharp edges until assembly is complete. You are therefore advised to take care and use suitable protection where necessary. Claims against the manufacturer will become invalid after the start of assembly. If you are not satisfied with your purchase, write or fax 01638 714715 Customer Services within 10 days of receipt of goods requesting a pre paid returns label. Under no circumstances return goods without contacting Customer Services in writing. Refunds will not be made unless goods are returned UNUSED/COMPLETE & IN ORIGINAL PACKAGING. Carriage charge is non refundable and any missing or damaged parts will be charged for.

In the unlikely event of a missing or broken part, it is essential that you advise us within the 10 day period. These missing or damaged parts will only be sent to you free of charge on one occasion so you are strongly advised to get it right first time. Further requests will be charged for. Your statutory rights are not affected.

Our policy is of continuous improvement and we reserve the right to change specification without prior notice, therefore the LATEST MODEL is supplied.

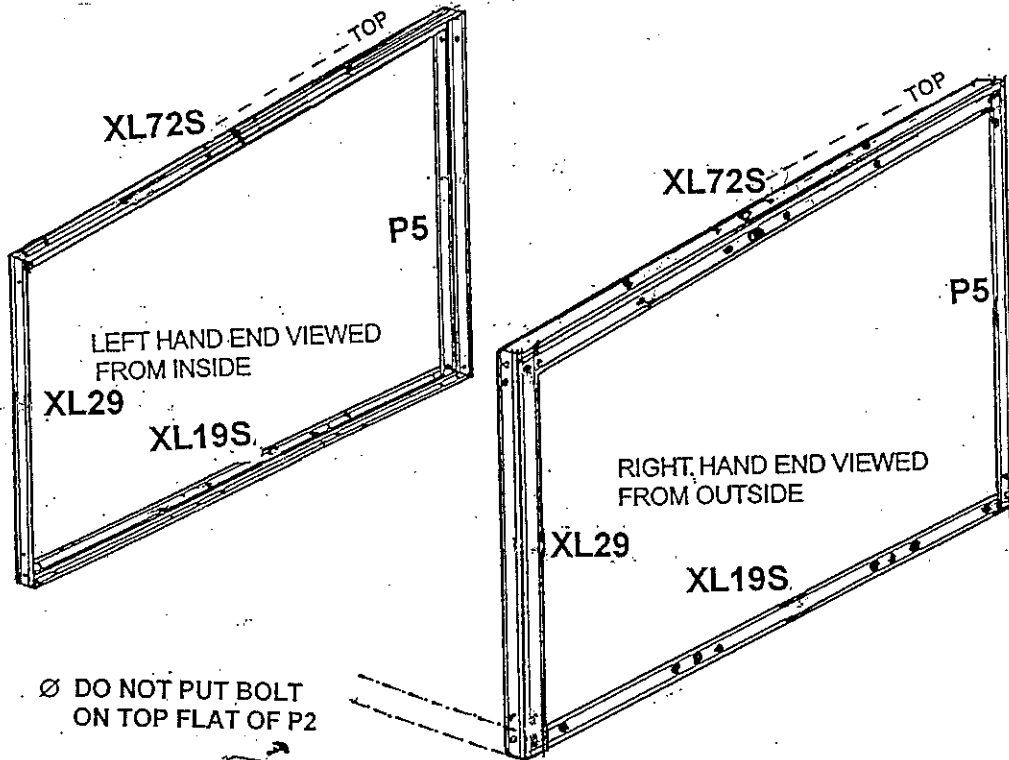
#### GENERAL NOTES:

All framework is assembled with nuts on inside except where stated.  
Protective film is fitted on both sides of all clear panels and should be removed.

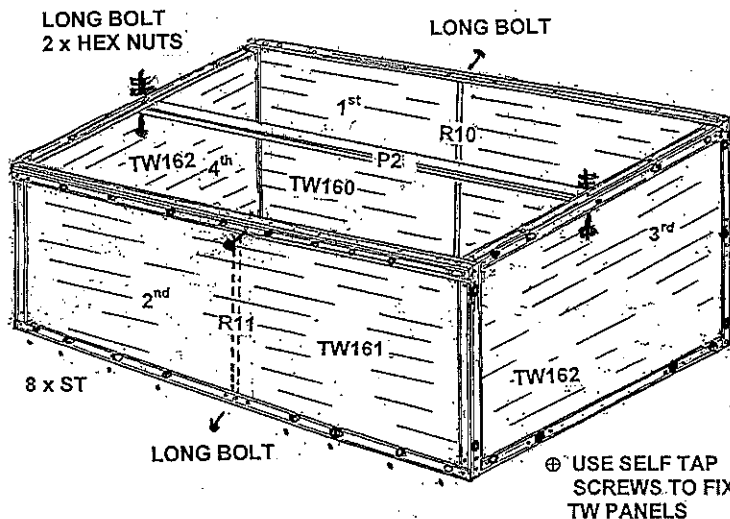
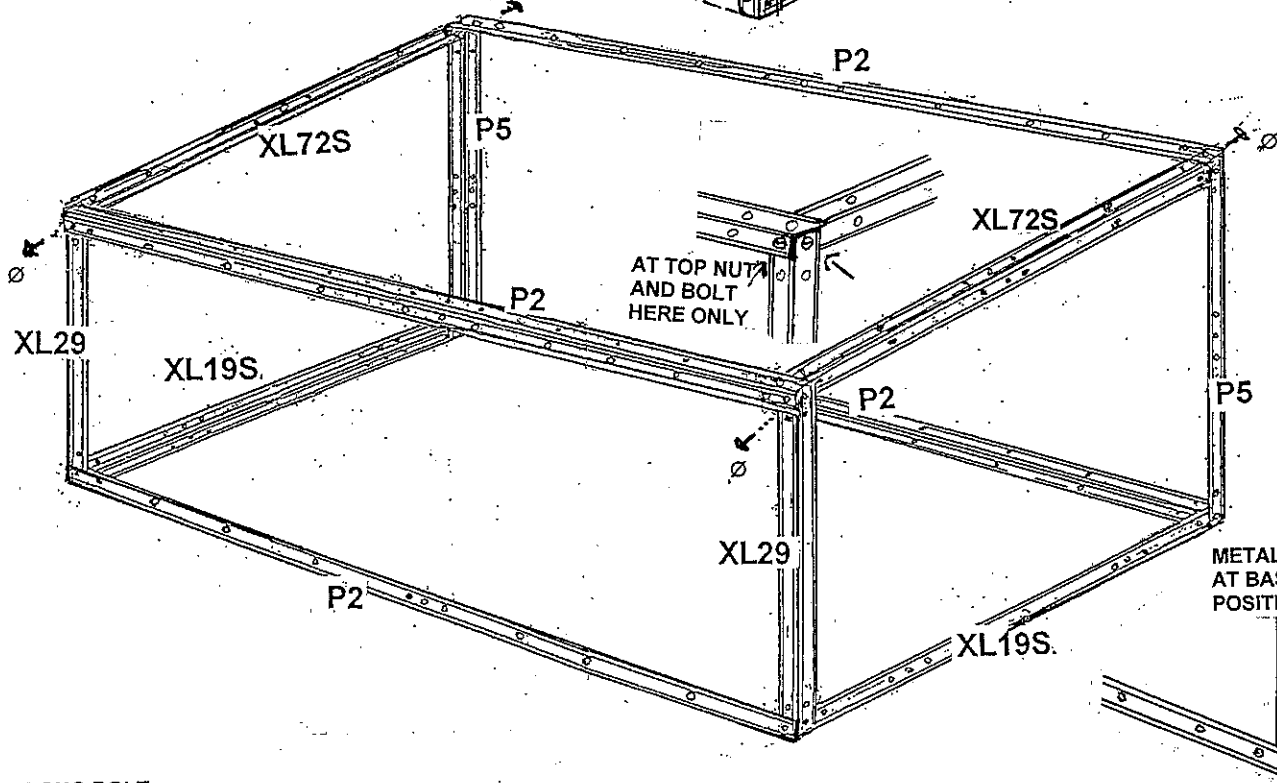


# 1. ASSEMBLE MAIN FRAMEWORK

Make up the two ends as illustrated before bolting these with angles shown to make up main framework.



∅ DO NOT PUT BOLT ON TOP FLAT OF P2

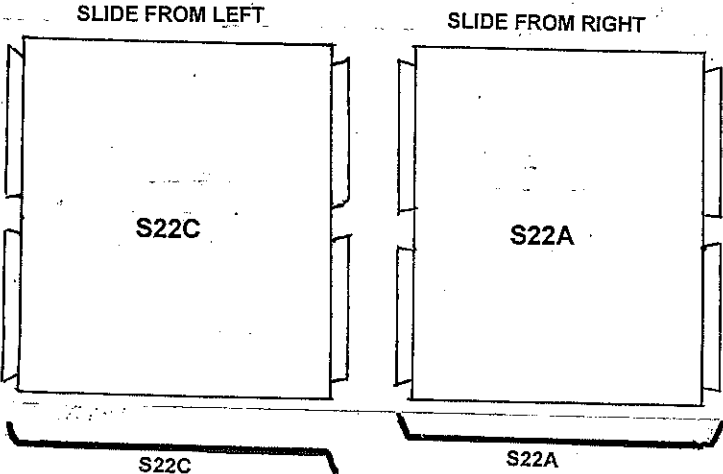
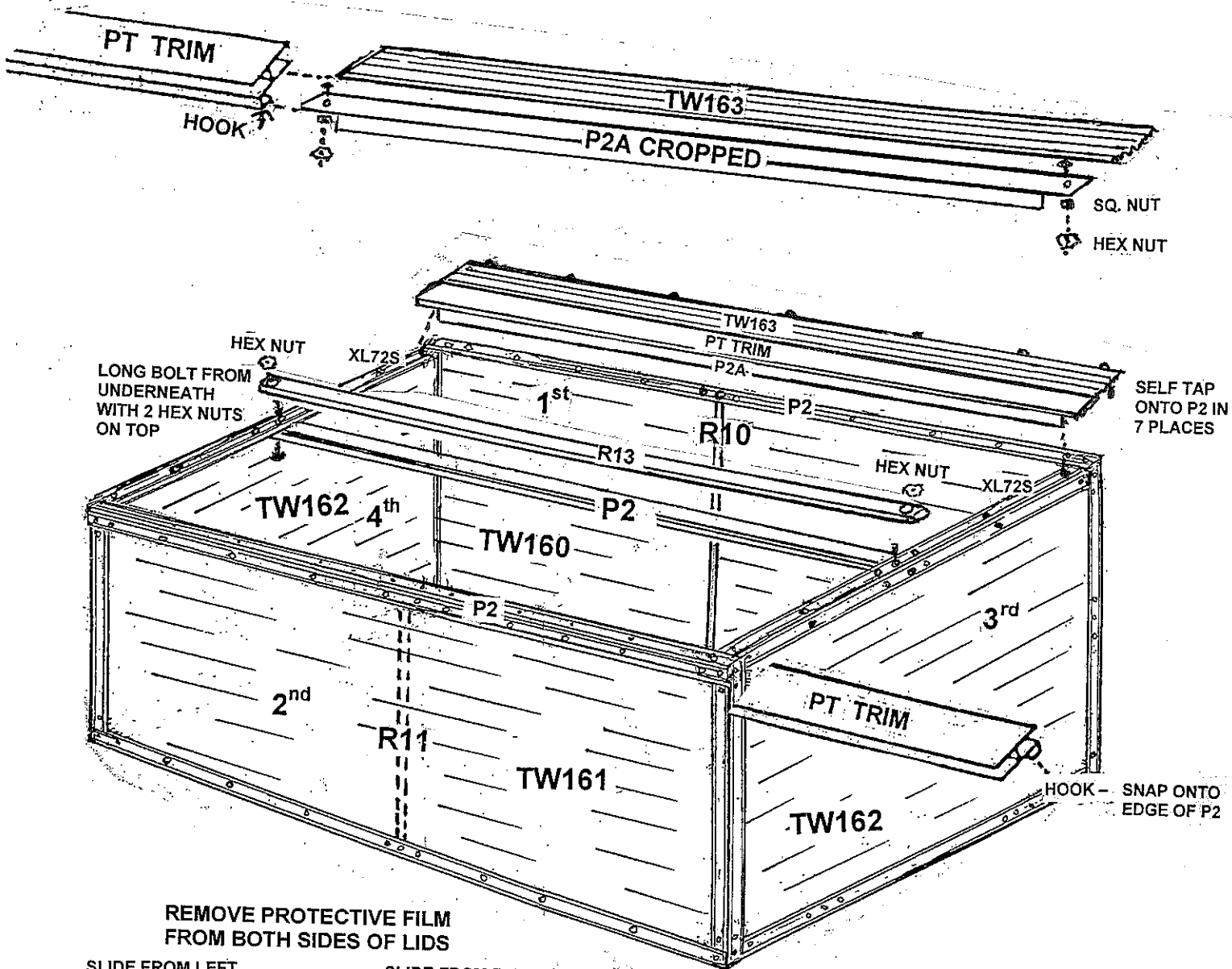


# 2. CLADDING THE FRAME

Trim the four corners of each TW panel with scissors to avoid corner nut and bolt. Offer the twinwall panels to the inside of the frame in order shown. Place the front and back panels in place, locate holes in the metal, pierce panels with sharp implement and fix with self tap screws from the outside. Place R10 and R11 channels on inside of front and back panels and use long bolt from outside, locate hole and pierce panel and fix with nut to inside of frame. Position end panels and fix same way. Place P2 under edge of XL72Ss at central hole fitting 16mm bolt from underneath, using bradawl to align bolt, or trim space in TW162, then place 2 hex nuts on top.

## 2A PRE-ASSEMBLE

Take cropped P2A, place a 16mm bolt into each end with square nut underneath and tighten. Snap the hook of PT trim onto uncropped metal edge then fit to second hole down on XL72S on the frame placing a hex nut on the underside of bolt and tighten. Slide TW163 into top groove of PT trim. Locate holes in P2 and fix TW163 with self tap screws in seven places.



### 3. FIXING TRIM AND LIDS

Slide S22C and S22A into top and bottom PT trim feeding from right and left allowing S22C to slide under edge of S22A see illustration. Take R13 with 'smooth' side uppermost and place centrally on top of panels, locating onto existing bolts and fix with a further hex nut at both sides.

### 4. FIXING DOWN YOUR COLD FRAME

If your Cold Frame is on a patio it should be fixed to the concrete or slabs using the holes around the base angles, or alternatively the base angles could be weighted down with slabs.