

NORFOLK GREENHOUSES LTD

(U5) COLD FRAME

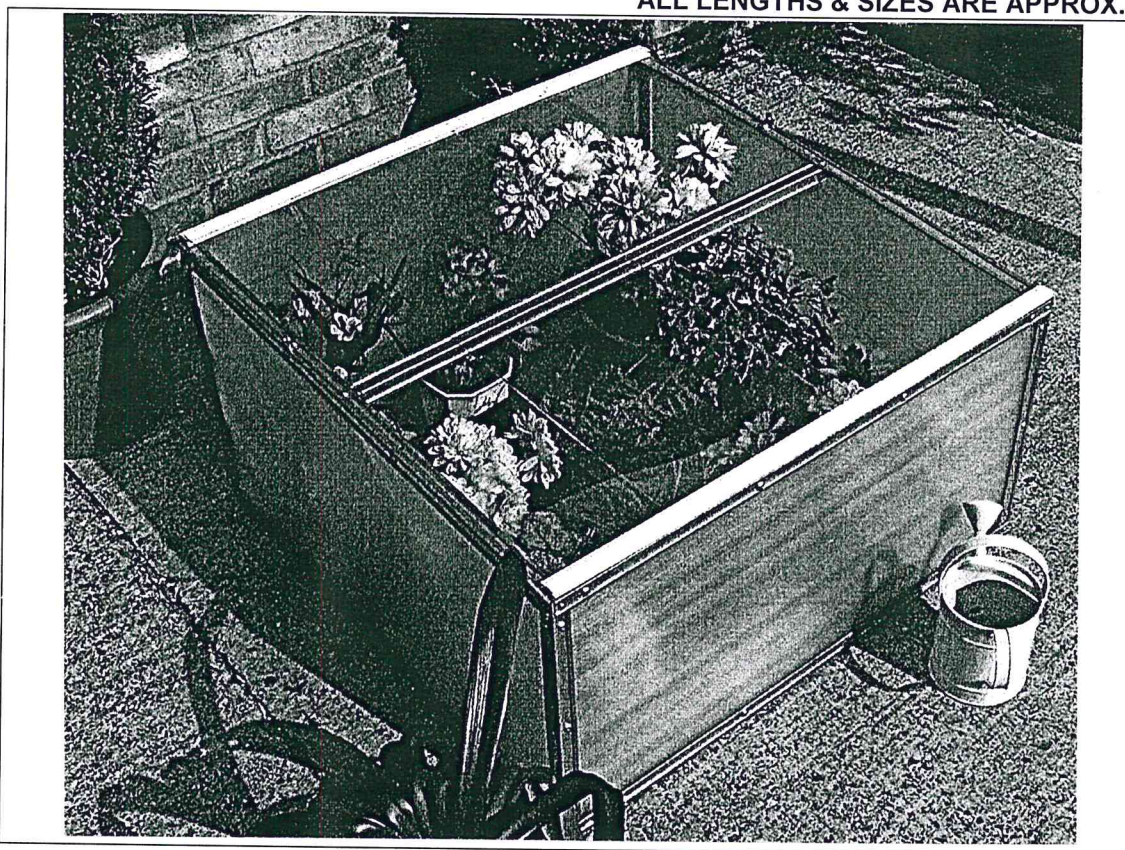
CHECK ALL PARTS AGAINST THE PARTS LIST AND READ INSTRUCTIONS
SEVERAL TIMES TO FAMILIARISE YOURSELF WITH THEM.

PARTS LIST

XL19	90 ANGLE 794mm	6
XL19A	90 ANGLE 794mm EXTRA HOLE IN CENTRE	2
XL19S	90 ANGLE 794mm	1
A8	90 ANGLE 396mm	2
XL32S	90 ANGLE 444mm	2
PT	PLASTIC TRIM (LID RUNNERS)	2
S21A	RIGHT HAND LID (WITH PROTECTIVE	1
S19	LEFT HAND LID FILM BOTH SIDES)	1
TW100	SIDE PANELS SHAPED	2
TW98	FRONT PANEL 786mm x 397mm	1
TW99	BACK 786mm x 445mm	1

PREPACK WITH 2 LID STOPS

ALL LENGTHS & SIZES ARE APPROX.

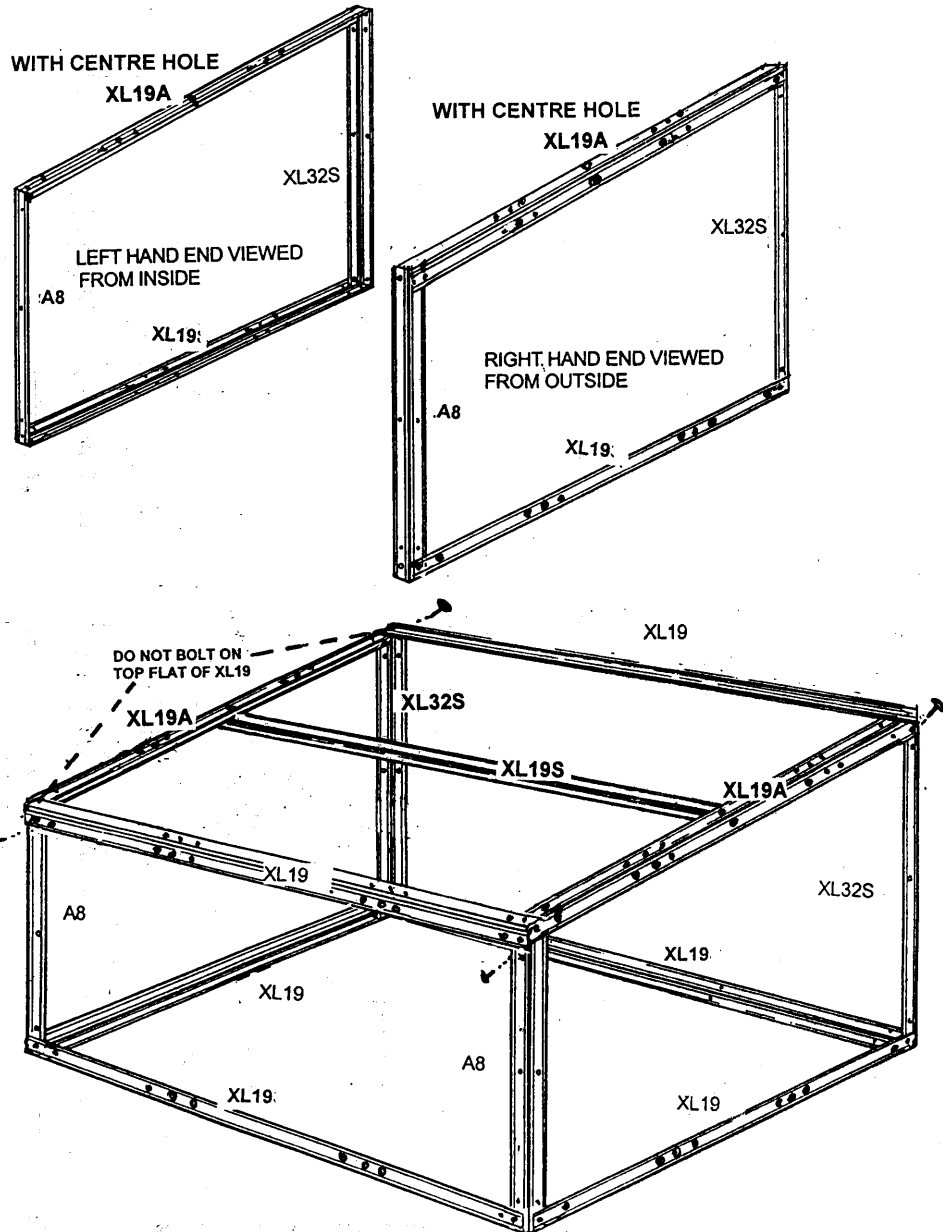


CAUTION Some metal may have sharp edges until assembly is completed.

To safeguard your own interests you are advised to CHECK the contents of the kit thoroughly BEFORE ASSEMBLY. Claims against the manufacturer will become invalid after the start of assembly. If you are not happy with your purchase Write or Fax Customer Services within 10 days of receipt of goods requesting a pre-paid label. Refunds will not be made unless goods are returned UNUSED/UNDAMAGED and COMPLETE. Any missing or damaged parts will be charged for. Under no circumstances return goods without contacting Customer Services in writing. This does not affect your statutory rights. LATEST MODEL SUPPLIED
14/2/07

1. ASSEMBLE MAIN FRAMEWORK

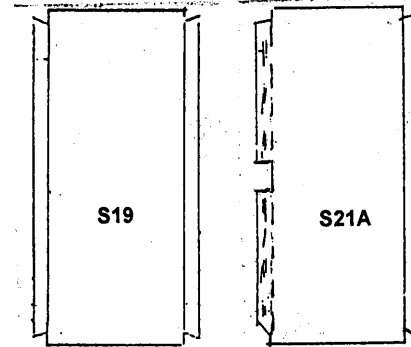
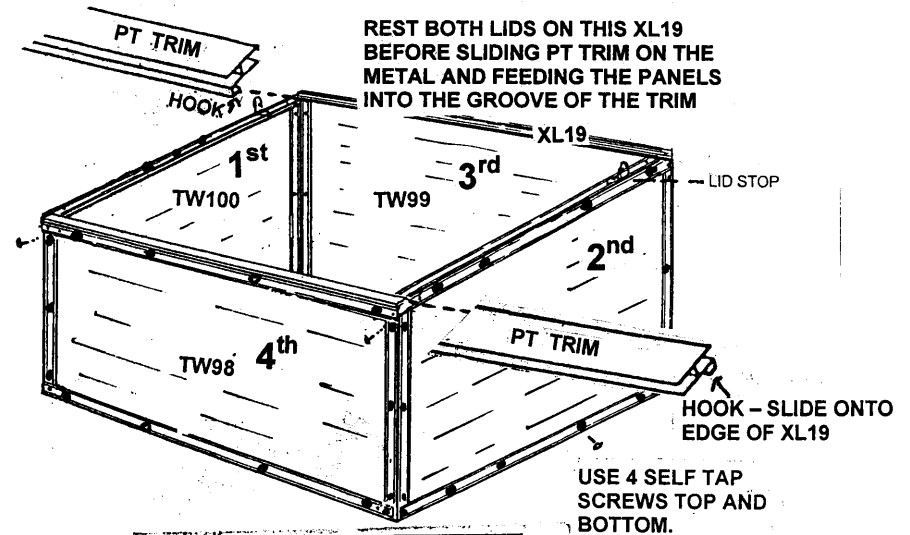
Make up the two ends as illustrated before bolting these with angles shown to make up main framework.



COLD FRAME VIEWED FROM FRONT

2. CLADDING THE FRAME

Offer the twinwall panels to the inside of the frame in order shown. Trim the four corners of each panel with scissors to avoid nut and bolt. Place the panels into each section starting with sides. Locate the holes in the metal, pierce panels with sharp implement and fix with self tap screws from the outside.



REMOVE PROTECTIVE FILM FROM BOTH SIDES

3. FIXING TRIM AND LIDS

Slide PT trim on front XL19. Place left hand lid, two lips up, on top of right hand lid, one lip up one down (with cut out). Locate cut out on S21A over the central XL19S. Slip both lids into lower PT, rest on face of top XL19 on frame then slide the small hook on PT trim onto metal, allowing the lids to slide in the groove. Bolt on lid stops as shown.

4. FIXING DOWN YOUR COLD FRAME

If your Cold Frame is on a patio it should be fixed to the concrete or slabs using the holes around the base angles, or alternatively the base angles could be weighted down with slabs.