

NORFOLK GREENHOUSES LTD

U8 CLOCHE

BEFORE construction check ALL boxes against parts list and study the instructions to make yourself conversant with them.

THIS PRODUCT IS OF A LIGHTWEIGHT DESIGN & THEREFORE IS IMPERATIVE THAT IT IS ANCHORED DOWN SUFFICIENTLY TO STOP THE WIND BLOWING IT OVER! THE PRODUCT IS DESIGNED FOLLOWING THE AIRCRAFT THEORY & WILL BE FLIMSY UNTIL PRODUCT IS COMPLETELY FINISHED. WE WISH YOU MANY HAPPY GROWING SEASONS.

PARTS LIST

ALL LENGTHS/SIZES ARE APPROX.

P2	90 ANGLE 1500mm	3
A8	90 ANGLE 396mm	4
XL60S	90 ANGLE 477mm	2
XL58	CHANNEL 387mm	2
TW128	TWIN WALL END TRIANGLES	2
VP100	CLEAR PANEL	1
NUTS&BOLTS	M4X10mm BOLTS WITH HEX NUTS	28
PEGS		4
DRILL BIT		

Most angles are marked with part number. However, it is not possible to print ALL parts but they can easily be identified by measuring.

IMPORTANT: Check ALL parts against list and read assembly instructions several times to familiarise yourself with them PRIOR to assembly or employing others to erect.

Caution: Some parts may have sharp edges until assembly is complete. You are therefore advised to take care and use suitable protection where necessary. Claims against the manufacturer will become invalid after the start of assembly. If you are not satisfied with your purchase, write or fax 01638 714715 Customer Services within 10 days of receipt of goods requesting a pre paid returns label. Under no circumstances return goods without contacting Customer Services in writing. Refunds will not be made unless goods are returned UNUSED/COMPLETE & IN ORIGINAL PACKAGING. Carriage charge is non refundable and any missing or damaged parts will be charged for.

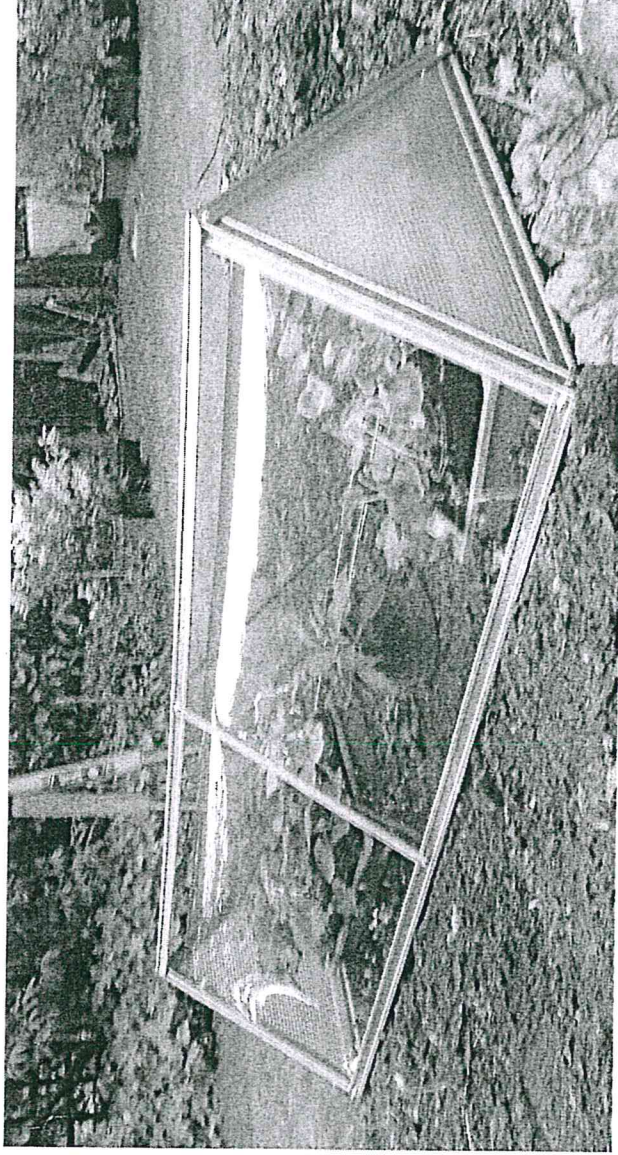
In the unlikely event of a missing or broken part, it is essential that you advise us within the 10 day period. These missing or damaged parts will only be sent to you free of charge on one occasion so you are strongly advised to get it right first time. Further requests will be charged for. Your statutory rights are not affected.

Our policy is of continuous improvement and we reserve the right to change specification without prior notice, therefore the LATEST MODEL is supplied.

GENERAL NOTES:

All framework is assembled with nuts on inside except where stated.
Protective film is fitted on both sides of all clear panels and should be removed.

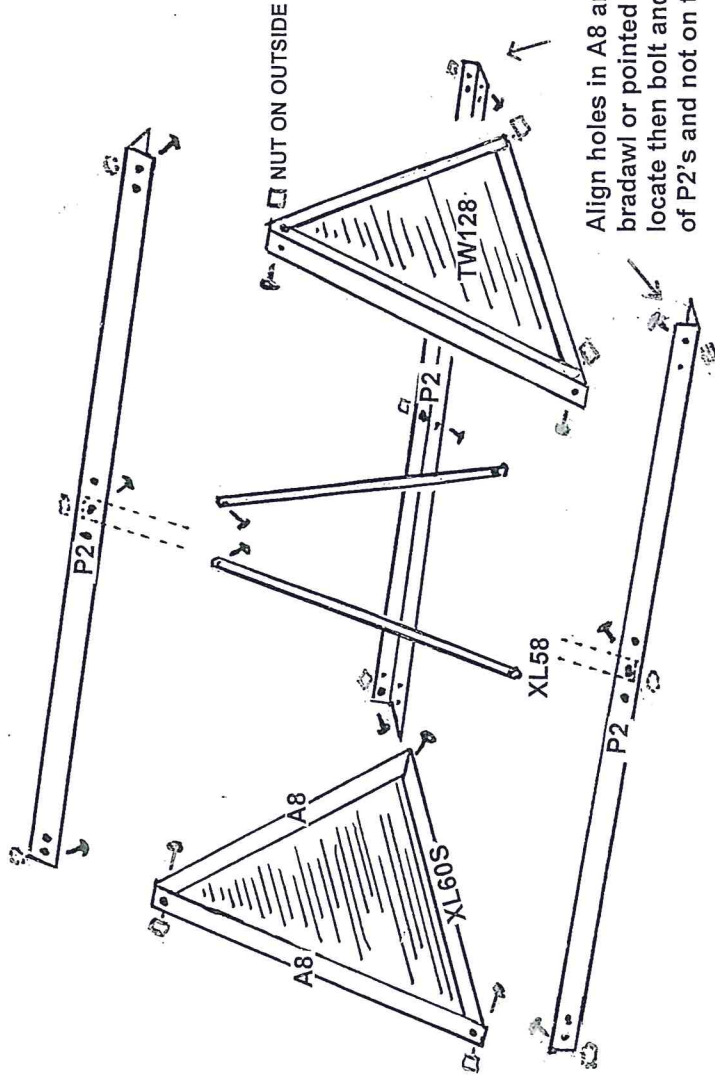
18/08/08



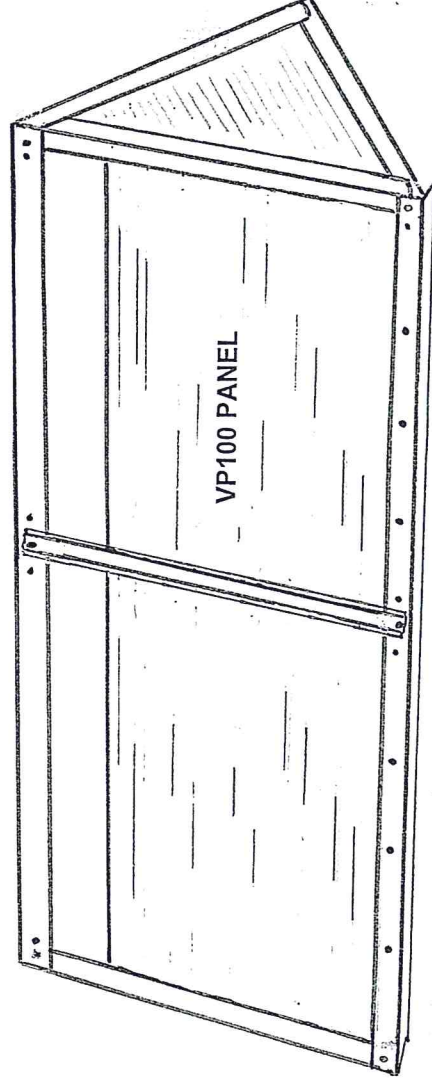
CONSTRUCTION

Make up ends as shown using three nuts and bolts for each, nuts on outside. Join both ends together with the bottom 2 x P2's using bolt from inside, nut on outside in four corners on side only. These P2's will not fit flat but angle out at base. Fit top P2 and bolt from inside nut on outside at both ends on one face only. Offer XL58 centrally, groove uppermost, to outside of P2's and fix at top and bottom, nut on outside. Place TW128 on inside of triangles. Roll VP100 panel and 'spring' into frame so edges sit into base P2 angles. Locate six holes at base P2's and make hole in panel using the drill bit or pierce with sharp implement and nut and bolt from the outside. The clear panel will hold the twinwall panel in position.

The top P2 can be used as carrying bar to re-position cloche.



Align holes in A8 and P2 using a bradawl or pointed screw driver to locate then bolt and nut to sides of P2's and not on the underside.



DRILL OR PIERCE PANEL TO MATCH SIX HOLES